

## HIGH PERFORMANCE BUTTERFLY VALVE



### Product Description

- Triple eccentric butterfly valve can meet the requirements of high temperature, high pressure and strong corrosion, high wear and other working conditions, with light weight, compact structure, low operating torque, etc. can replace the conventional gate valve, globe valve and ball valve under most conditions.

High performance butterfly valve is a new type of butterfly valve designed based on the advantages of

- absorbing several different structural butterfly valves.

The valve plate sealing surface of this butterfly valve is a ball arc body, and the sealing mechanism achieves a true dynamic seal through the system pressure, so it has excellent cutting performance and durability performance. Its small size, light weight, a wide range of manufacturing, easy maintenance.

### Features

- The sealing performance is good and the reliability of the system is improved.
- Small frictional resistance, open and close effort, flexibility.
- Long service life, can achieve repeated switching.
- High pressure and high temperature resistance, wide application range.

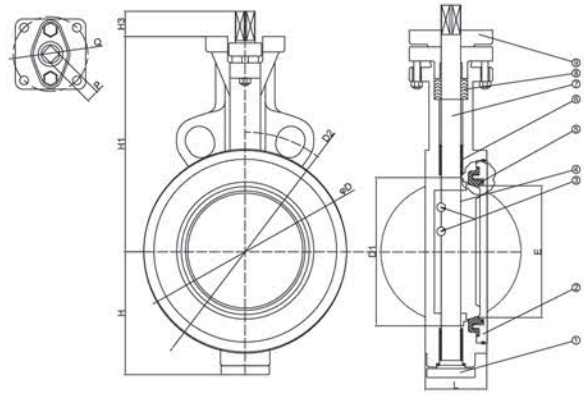


### Main Specification

Nominal Size	Operated Type	Work Pressure	Work Temperature	Seal Material	Disc Material	Body Material	Medium	Application	Connection Standard
DN50 ↓ 350	Pneumatic Actuator	1.6-6.3Mpa	-19-425°C	RPTFE	SS304	WCB	Strong Acid	Lithium Battery	JB/T79.1
	Electric Actuator				SS316 Stainless Steel		Strong Alkali	Desalination	JB/T79.2
	Manual Hand Lever				SS316L		Strong Oxidant	Coal Chemical	HG20615
	Worm Gear							Chemical Industry	ASME B16.5
								Rubber	ASME B 16.47
								Papermaking	
								Pharmacy	

Visit our website to know more details: [www.flowxcontrol.com](http://www.flowxcontrol.com)

## Handle Lever Operated

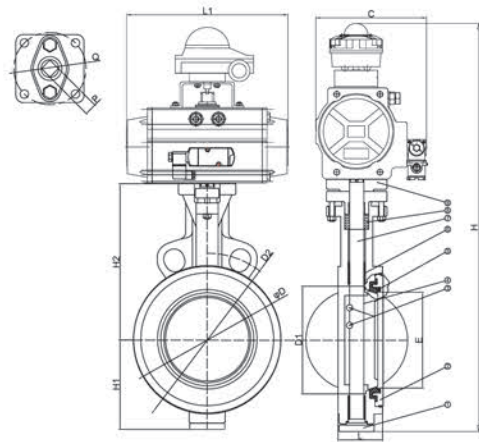


unit: mm

### Dimensions

Size		D2			H1	H2	H3	L	D	D1	E	P	Q
DN	NPS	10K	PN16	150LB									
50	2"	120	125	120.5	65	138	16	43	96	48	40	11	F07
65	2½"	140	145	139.5	75	148	16	43	119	64	60	11	F07
80	3"	150	160	152.5	80	168	18	46	132	82	76	11	F07
100	4"	175	180	190.5	92	180	18	54	156	102	95	11	F07
125	5"	210	210	216	115	202	21	56	186	122	115	14	F07
150	6"	240	240	241.5	126	225	21	56	216	148	142	14	F010
200	8"	290	295	298.5	165	265	25	64	264	197	189	22	F010
250	10"	355	355	362	235	315	28	71	320	243	238	22	F012
300	12"	432	410	400	258	342	32	78	381	295	282	27	F012
350	14"	455	470	476	295	375	38	92	413	325	318	27	F014

## Pneumatic Actuator Operated



unit: mm

### Dimensions

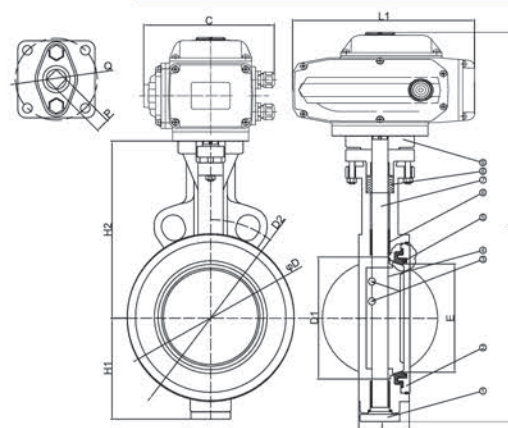
Size		D2			H1	H2	H	L	D	D1	E	P	Q
DN	NPS	10K	PN16	150LB									
50	2"	120	125	120.5	65	138	16	43	96	48	40	11	F07
65	2½"	140	145	139.5	75	148	16	43	119	64	60	11	F07
80	3"	150	160	152.5	80	168	18	46	132	82	76	11	F07
100	4"	175	180	190.5	92	180	18	54	156	102	95	11	F07
125	5"	210	210	216	115	202	21	56	186	122	115	14	F07
150	6"	240	240	241.5	126	225	21	56	216	148	142	14	F010
200	8"	290	295	298.5	165	265	25	64	264	197	189	22	F010
250	10"	355	355	362	235	315	28	71	320	243	238	22	F012
300	12"	432	410	400	258	342	32	78	381	295	282	27	F012
350	14"	455	470	476	295	375	38	92	413	325	318	27	F014



## HIGH PERFORMANCE BUTTERFLY VALVE



### Electric Actuator Operated



### Dimensions

unit: mm

Size		D2			H1	H2	L	D	D1	E	P	Q	H	L1	C
DN	NPS	10K	PN16	150LB											
50	2"	120	125	120.5	65	138	43	96	48	40	11	F07	340.5	162	140.5
65	2½"	140	145	139.5	75	148	43	119	64	60	11	F07	391.5	211.5	154
80	3"	150	160	152.5	80	168	46	132	82	76	11	F07	416.5	211.5	154
100	4"	175	180	190.5	92	180	54	156	102	95	11	F07	475	259	186
125	5"	210	210	216	115	202	56	186	122	115	14	F07	520	259	186
150	6"	240	240	241.5	126	225	56	216	148	142	14	F010	554	259	186
200	8"	290	295	298.5	165	265	64	264	197	189	22	F010	633	259	186
250	10"	355	355	362	235	315	71	320	243	238	22	F012	753	259	186
300	12"	432	410	400	258	342	78	381	295	282	27	F012	829.5	283.5	193
350	14"	455	470	476	295	375	92	413	325	318	27	F014	899.5	283.5	193

### Technical Material List

APPLICABLE STANDARDS & TECHNICAL NOTES:							
DESIGN CODE		API609		END STANDARD		ANSI 150#/JIS 10K	
INSPECTION&TEST		API598		FACE TO FACE		API609	
NO.	PARTS NAME	MATERIAL	QTY	NO.	PARTS NAEM	MATERIAL	QTY
1	LOCATING PLUG	WCB/CF8/CF8M	1	6	BEARING ASSEMBLY	304+PTFE	1
2	SEAT RETAINER PLATE	WCB/CF8/CF8M	1	7	STEM	17-4PH/410S	1
3	TAPER PINS	SS304	1	8	STEM SEAL	PTFE	1
4	DISC	SS304/306	1	9	BODY	WCB/CF8/CF8M	4
5	SEAT	PTFE	4				
TEST PRESSURE							
		SHELL		SEAL			
HYDROSTATIC		24/15 kg/cm <sup>2</sup>		17.6/11 kg/cm <sup>2</sup>			
AIR		—		—			
TITLE: HIGH PERFORMANCE BUTTERFLY VALVE							
SIZE		DN50-DN450		DWG NO.		FT0114000002-1	