

Product Description

- Hard-seal butterfly valve is a kind of component used to realize the on-off and flow control of pipeline system.
- It has been widely used in many fields such as petroleum, chemical industry, metallurgy, and hydropower. In the known butterfly valve technology, the sealing structure is mostly a sealed structure, and the sealing material is rubber, PTFE, and the like. Due to structural limitations, it is not suitable for high temperature, high pressure, corrosion and wear resistance industries.
- The existing one of the more advanced butterfly valves is a three-eccentric metal hard-seal butterfly valve.
- The valve body and the valve seat are connected components, and the valve seat sealing surface layer is surfacing with temperature-resistant and corrosion-resistant alloy materials.
- The multi-layer soft stack seal is fixed on the valve plate.
- Compared with the traditional butterfly valve, this type of butterfly valve has high temperature resistance, easy operation, no friction when opening and closing, and the seal is increased when the torque of the transmission mechanism is increased during closing.
- The sealing performance and the advantages of prolonged service life.



Main Specification

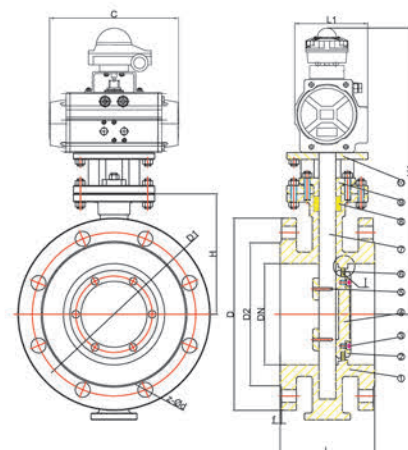
Nominal Size	Operated Type	Work Pressure	Work Temperature	Disc/Body Material	Medium	Application	Connection Standard
DN50	Pneumatic Actuator	0.6-4.0Mpa	WCB	WCB	Water	Food	GB/T9115.1-2000
↓ 250	Electric Actuator		-15-85°C	SS304	Steam	Medicine	GB/T9115.2-2000
	Manual Hand Lever	Stainless Steel	SS316	Oil	Chemical Industry	ASME B16.5	
	Worm Gear	-40°C-600°C		Acid Corrosion	Power Plant	ASME B 16.47	
				Ect	Steel Mill		
					Industrial environmental protection		

Visit our website to know more details: www.flowxcontrol.com

HARD SEAL TRIP ECCENTRIC BUTTERFLY VALVE



Pneumatic Actuator Operated

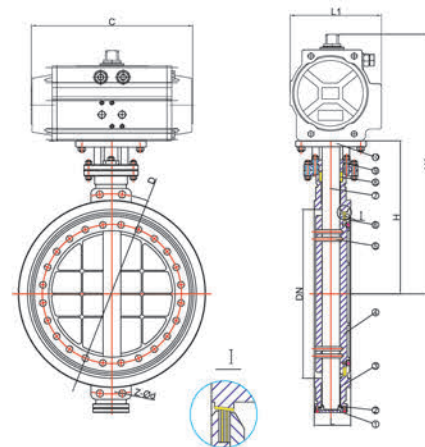


unit: mm

Dimensions

Size		SPRING RETURN				DOUBLE ACTING				L	D	D1	D2	f	Z	d	H
DN	NPS	H1	C	L1	WT (kg)	H1	C	L1	WT (kg)								
50	2"	374.5	273.5	106	DN	363	207	94.5	DN	108	155	125	102	2	4	18	160
65	2½"	402.5	271.5	123	DN	389.5	237.5	106	DN	112	185	145	122	2	8	18	175
80	3"	417.5	271.5	123	DN	404.5	237.5	106	DN	114	200	160	138	2	8	18	190
100	4"	452.5	328	137	DN	422.5	271.5	123	DN	127	220	180	152	2	8	18	195
125	5"	484.5	366	148	DN	472.5	328	137	DN	140	250	210	188	2	8	18	215
150	6"	517	428	164	DN	494.5	366	148	DN	140	285	240	212	2	8	22	225
200	8"	606	430	186.5	DN	590	428	164	DN	152	340	295	268	2	12	22	298
250	10"	666	482	204	DN	636	430	186.5	DN	165	405	350	320	2	12	26	328
300	12"	725	532	224	DN	703	482	204	DN	178	460	400	378	2	12	26	365
350	14"	812	662	266	DN	768	532	266	DN	190	520	460	428	2	16	26	408

Pneumatic Actuator Operated

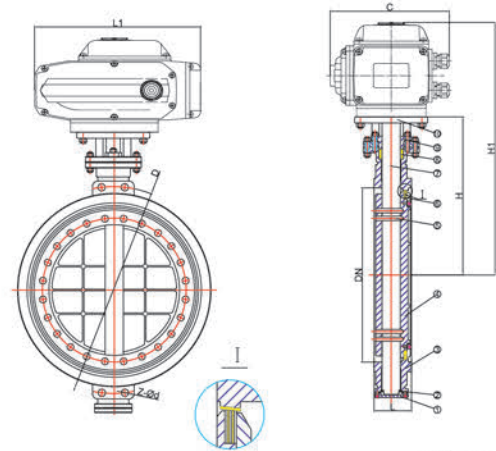


unit: mm

Dimensions

Size		PN16			PN25			DOUBLE ACTING				L	H
DN	NPS	D	Z	d	D	Z	d	H1	C	L1	WT (kg)		
50	2"	125	4	18	125	4	18	277	207	94.5	-	43	160
65	2½"	145	4	18	145	4	18	303.5	237.5	106	-	46	175
80	3"	160	4	18	160	4	18	318.5	237.5	106	-	49	190
100	4"	180	4	18	190	4	22	336.5	271.5	123	-	56	195
125	5"	210	4	18	220	4	26	386.5	328	137	-	64	215
150	6"	240	4	22	250	4	26	408.5	366	148	-	70	225
200	8"	295	4	22	310	4	26	504	428	164	-	71	298
250	10"	355	4	26	370	4	30	550	430	286.5	-	76	328
300	12"	410	4	26	430	4	30	617	482	204	-	83	365
350	14"	470	4	26	490	4	33	682	530	224	-	92	408

Electric Actuator Operated



unit: mm

Dimensions

Size		PN16			PN25			L	H	H1	L1	C	WT (kg)
DN	NPS	D	Z	d	D	Z	d						
50	2"	125	4	18	125	4	18	43	160	328.5	211.5	154	DN
65	2½"	145	4	18	145	4	18	46	175	378	259	186	DN
80	3"	160	4	18	160	4	18	49	190	393	259	186	DN
100	4"	180	4	18	190	4	22	56	195	395	259	186	DN
125	5"	210	4	18	220	4	26	64	215	418	259	186	DN
150	6"	240	4	22	250	4	26	70	225	428	259	186	DN
200	8"	295	4	22	310	4	26	71	298	501	259	186	DN
250	10"	355	4	26	370	4	30	76	328	557.5	283.5	193	DN
300	12"	410	4	26	430	4	30	83	365	594.5	283.5	193	DN
350	14"	470	4	26	490	4	33	92	408	637.5	283.5	193	DN

Technical Material List

APPLICABLE STANDARDS & TECHNICAL NOTES:							
DESIGN CODE		GB/T 12236		END STANDARD		HG 20592	
INSPECTION&TEST		GB/T 13927		FACE TO FACE		GB/T 12221	
NO.	PARTS NAEM	MATERIAL	QTY	NO.	PARTS NAEM	MATERIAL	QTY
1	BODY	DI/WCB/CF8/CF8M	1	6	SEAL	304+FLEXIBLE GRAPHITE	1
2	PRESSURE RING	304	1	7	STEM	304	1
3	SCREW	304	1	8	PACKING	FLEXIBLE GRAPHITE	6
4	DISC	DI/WCB/CF8/CF8M	1	9	PACKING GLAND	DI/WCB/CF8/CF8M	1
5	PIN	304	1	10	STENTS	DI/WCB/CF8/CF8M	1
TEST PRESSURE							
		SHELL		SEAL			
HYDROSTATIC		24/37.5 kg/cm ²		17.6/27.5 kg/cm ²			
AIR		—		—			
TITLE: HARD SEAL TRIP ECCENTRIC BUTTERFLY VALVE							
SIZE		DN50-DN350		DWG NO.		FT0114000001-2	