

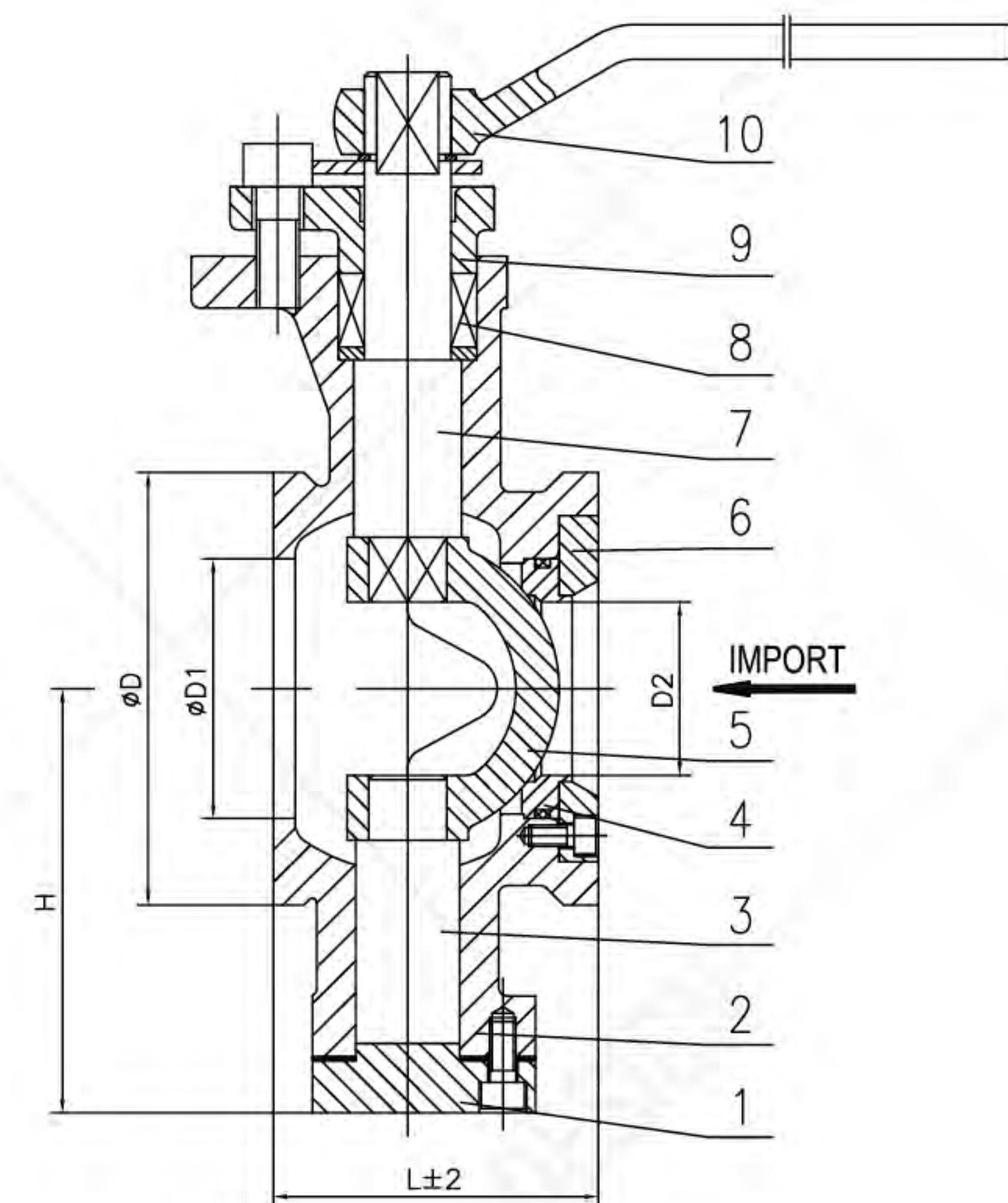
V-type Wafer Type Ball Valves

■ Features

- > 1/2" through 10"
- > wafer or flange connection
- > PN16 working pressure
- > Temperature rating varies from with o-ring material
- > With characterized V-ports, slotted ports or custom ports,
- > V-Control Ball Valves provide accurate flow control.
- > Available in 3-Piece and Flanged bodies, V-Control valves offer
- > superior rangeability, repeatability and high flow capacity.
- > Designed for easy automation
- > Ideal control element in process piping systems.
- > Inspection and testing meet GB/T13927

■ Material List

| NO. | PARTS NAME | MATERIAL |
|-----|---------------|------------------------------|
| 1 | COVER | WCB/CF8/CF8M |
| 2 | BODY | WCB/CF8/CF8M |
| 3 | LOWER STEM | 20Cr13 |
| 4 | SEAT | A105+STL/SS304+STL316+STL |
| 5 | BALL | CF8+NITRIDING/CF8M+NITRIDING |
| 6 | STEM AND CAP | A105/SS304/SS316 |
| 7 | UPPER STEM | 20Cr13 |
| 8 | PACKING | PTFE |
| 9 | PACKING GLAND | WCB/CF8/CF8M |
| 10 | HANDLE | WCB |



■ Dimensional Data

| Size | | L | D | D1 | D2 | H |
|------|-----|-----|-----|-----|-----|-----|
| DN | In. | | | | | |
| 25 | 1 | 50 | 66 | 35 | 20 | 73 |
| 32 | 1¼ | 60 | 81 | 48 | 30 | 85 |
| 40 | 1½ | 60 | 81 | 48 | 30 | 85 |
| 50 | 2 | 75 | 100 | 59 | 38 | 99 |
| 65 | 2½ | 85 | 120 | 72 | 50 | 113 |
| 80 | 3 | 100 | 132 | 105 | 60 | 127 |
| 100 | 4 | 115 | 158 | 125 | 72 | 137 |
| 125 | 5 | 135 | 183 | 150 | 92 | 155 |
| 150 | 6 | 160 | 216 | 170 | 115 | 172 |
| 200 | 8 | 200 | 268 | 210 | 145 | 198 |
| 250 | 10 | 240 | 323 | 258 | 200 | 231 |

Valve Operator

Lever operation

- Pneumatic or electric actuators available.
- Limit switches, positioners, solenoid valves and many other customer options available.
- Contact FLOWX for appropriate choice and sizing of valve actuators.

ALL VALVES ARE 100% ELECTRONICALLY TESTED AT 80 PSI IN BOTH THE OPEN AND CLOSED POSITIONS

FLOWX VALVE • WORLD-CLASS VALVE SUPPLIERS • T (86) 021 3497 7873 • F (86) 021 5415 0271 • Email:sales@flowxvalve.com

V-type Wafer Type Ball Valves

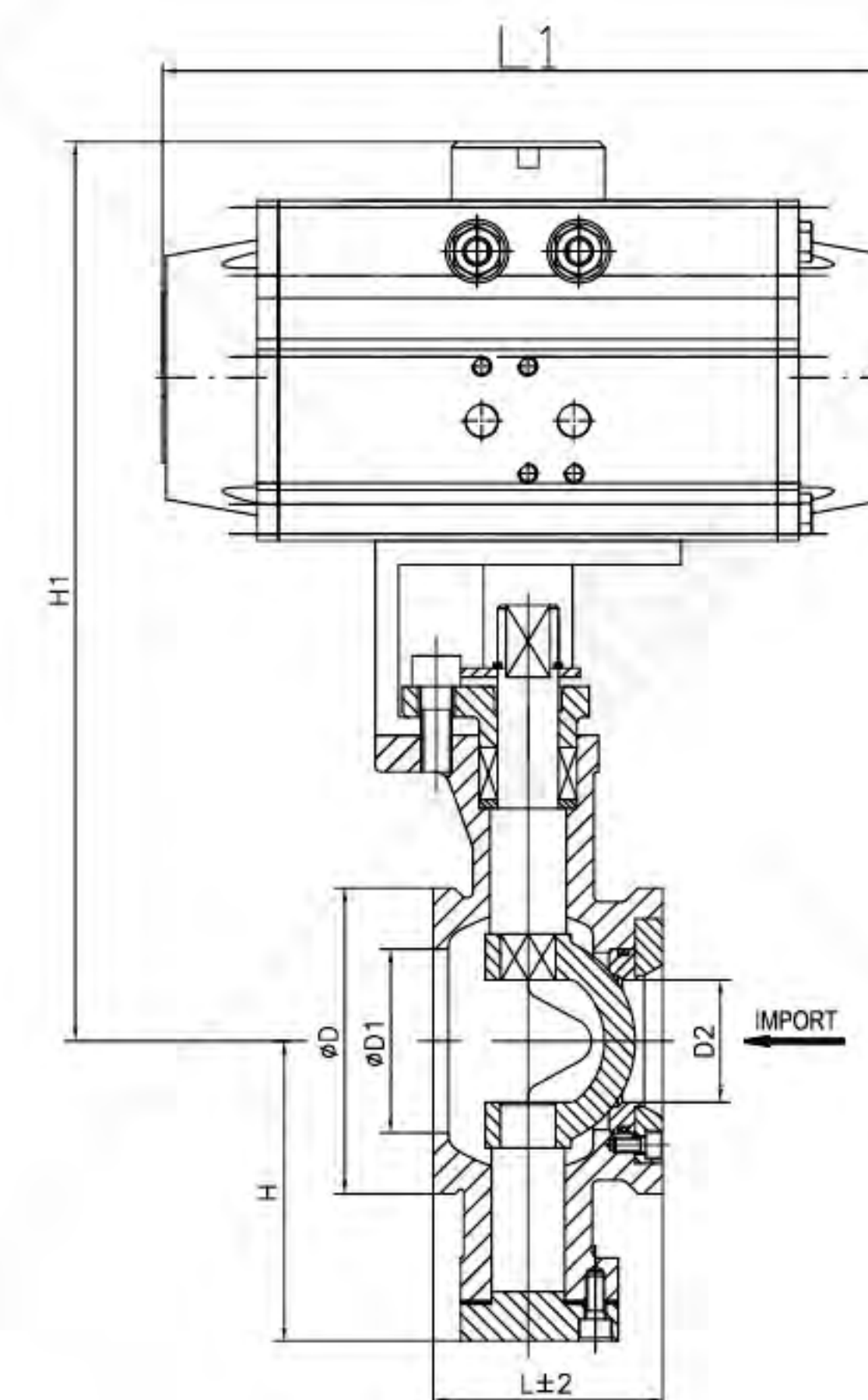
■ Features of Actuators

- > Heavy duty Rack and pinion design
- > Spring return or double acting
- > Open and closed adjustment stops
- > True NAMUR accessory and ISO mounting
- > Visual indicator, Top Mount indicator
- > High temperature and corrosion resistant models available
- > Solenoids, limit switches, positioners and other accessories are available

- > Fully adjustable limit switches allow for fine control of on-off positions
- > All electric actuators are available for modulating (4-20mA control) or on-off service
- > Motor has thermal overload protection
- > Running Time: 9s/13s/15s/30s/50s/100s/150s
- > Heavy-duty gear train motor with permanent lubrication
- > ISO bottom mounting for direct mount actuation with true ISO valves on most models

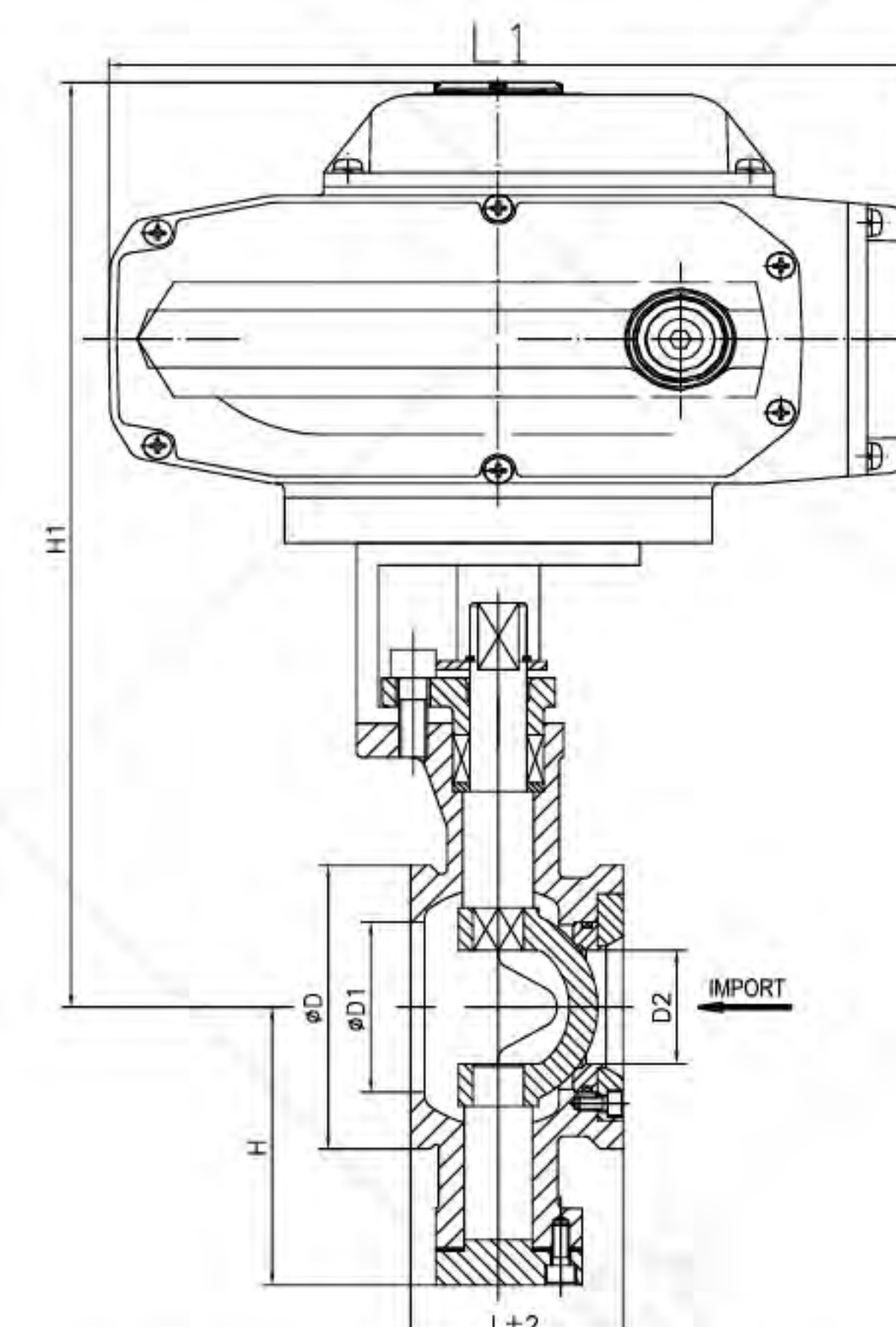
■ Dimensional Data

| Size | | L | D | D1 | D2 | H | SR | | DA | |
|------|-----|-----|-----|-----|-----|-----|-------|-------|-------|-------|
| DN | In. | | | | | | H1 | L1 | H1 | L1 |
| 25 | 1 | 50 | 66 | 35 | 20 | 73 | 257 | 207 | 240.5 | 162 |
| 32 | 1¼ | 60 | 81 | 48 | 30 | 85 | 289.5 | 237.5 | 278 | 207 |
| 40 | 1½ | 60 | 81 | 48 | 30 | 85 | 289.5 | 237.5 | 278 | 207 |
| 50 | 2 | 75 | 100 | 59 | 38 | 99 | 321.5 | 271.5 | 308.5 | 237.5 |
| 65 | 2½ | 85 | 120 | 72 | 50 | 113 | 367.5 | 328 | 337.5 | 271.5 |
| 80 | 3 | 100 | 132 | 105 | 60 | 127 | 402.5 | 366 | 390.5 | 328 |
| 100 | 4 | 115 | 158 | 125 | 72 | 137 | 444 | 428 | 421.5 | 366 |
| 125 | 5 | 135 | 183 | 150 | 82 | 155 | 538 | 482 | 508 | 430 |
| 150 | 6 | 160 | 216 | 170 | 115 | 172 | 575 | 532 | 553 | 482 |
| 200 | 8 | 200 | 268 | 210 | 145 | 198 | 649 | 662 | 605 | 532 |



■ Dimensional Data

| Size | | L | D | D1 | D2 | H | L1 | H1 |
|------|-----|-----|-----|-----|-----|-----|-------|-------|
| DN | In. | | | | | | | |
| 25 | 1 | 50 | 66 | 35 | 20 | 73 | 165 | 277.5 |
| 32 | 1¼ | 60 | 81 | 48 | 30 | 85 | 165 | 298.5 |
| 40 | 1½ | 60 | 81 | 48 | 30 | 85 | 165 | 298.5 |
| 50 | 2 | 75 | 100 | 59 | 38 | 99 | 211.5 | 348.5 |
| 65 | 2½ | 85 | 120 | 72 | 50 | 113 | 259 | 399 |
| 80 | 3 | 100 | 132 | 105 | 60 | 127 | 259 | 422 |
| 100 | 4 | 115 | 158 | 125 | 72 | 137 | 259 | 441 |
| 125 | 5 | 135 | 183 | 150 | 92 | 155 | 259 | 489 |
| 150 | 6 | 160 | 216 | 170 | 115 | 172 | 283.5 | 530.5 |
| 200 | 8 | 200 | 268 | 210 | 145 | 198 | 283.5 | 560.5 |



ALL VALVES ARE 100% ELECTRONICALLY TESTED AT 80 PSI IN BOTH THE OPEN AND CLOSED POSITIONS