

3-Way Flange Ball Valves

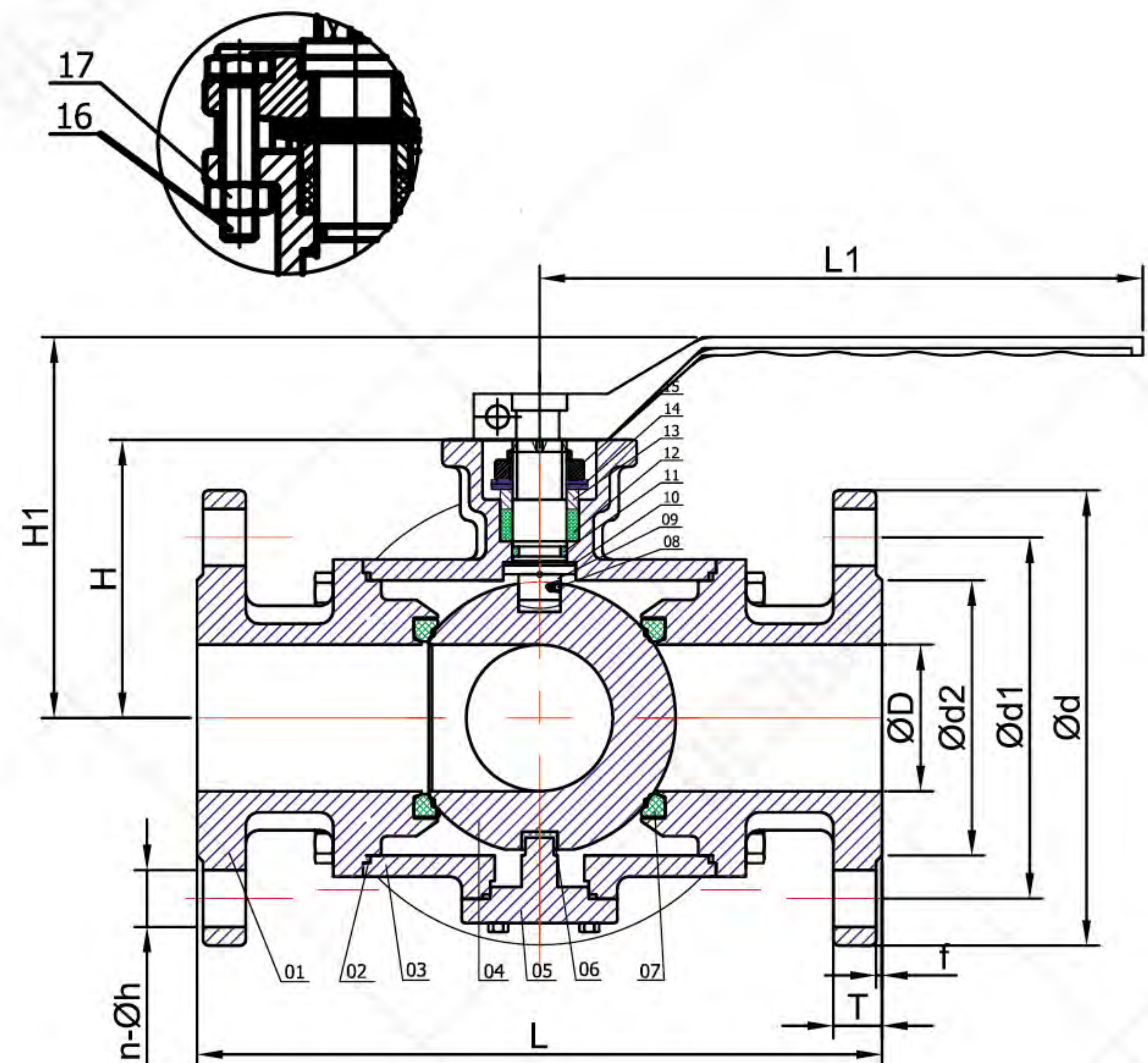
Features

- > 1/2" through 4"
- > L-Port or T-Port Configurations
- > ANSI 150# Flanged Ends
- > Electric and Pneumatic Actuators
- > 4-Seat Design for high cycling
- > Cost-efficient Actuators
- > Secure True ISO Mounting Pad
 - Most models are direct mount for lowest possible stack up height
- > Ported 3 way ball valves offering excellent versatility for mixing and diverting applications.
- > ISO 5211 Secure Mount actuator top flange



Material List

NO.	PARTS NAME	MATERIAL		
1	BONNET	WCB	CF8	CF8M
2	SEAT	TFM1600		
3	BODY	WCB	CF8	CF8M
4	BALL	SS304	SS304	SS316
5	FIXED SEAT	SS304	SS304	SS316
6	WEAR-PROOF CASING	PTFE		
7	SEAT	TFM1600		
8	ESD	SS		
9	STEM	SS316		
10	THRUST WASHER	RTFE		
11	O-RING	VITON		
12	PACKING	TFM1600		
13	PACKING RING	SS		
14	DISC SPRING	SS		
15	PACKING GLAND	WCB	SS	SS
16	BOLT	A 193 B7	A 193 B8	A 193 B8
17	NUT	A 194 2H	A 194 8	A 194 8



Dimensional Data

Size		PN	ΦD	Φd	Φd1	Φd2	L	n	Φh	T	f	H	H1	L1
DN	In.													
15	1/2	10-40	15	95	65	45	155	4	14	16	2	64.5	92.5	165
20	3/4	10-40	20	105	75	58	165	4	14	18	2	64.5	92.5	165
25	1	10-40	25	115	85	68	181	4	14	18	2	67.5	97.5	196
32	1 1/4	10-40	32	140	100	78	190	4	18	18	2	75.5	108.5	196
40	1 1/2	10-40	40	150	110	88	212	4	18	18	3	85	122.5	232
50	2	10-40	50	165	125	102	232	4	18	20	3	93	130.5	232
65	2 1/2	10-40	65	185	145	122	290	4	18	22	3	121	191	300
80	3	10-16	76	200	160	138	310	8	18	20	3	153	223	300
100	4	10-40	100	220	180	158	352	8	18	22	3	170.5	262	400

Valve Operator

Lever operation

- Pneumatic or electric actuators available.
- Limit switches, positioners, solenoid valves and many other customer options available.
- Contact FLOWX for appropriate choice and sizing of valve actuators.

ALL VALVES ARE 100% ELECTRONICALLY TESTED AT 80 PSI IN BOTH THE OPEN AND CLOSED POSITIONS

FLOWX VALVE • WORLD-CLASS VALVE SUPPLIERS • T (86) 021 3497 7873 • F (86) 021 5415 0271 • Email:sales@flowxvalve.com

3-Way Flange Ball Valves

■ Features of Actuators

- > Heavy duty Rack and pinion design
- > Spring return or double acting
- > Open and closed adjustment stops
- > True NAMUR accessory and ISO mounting
- > Visual indicator, Top Mount indicator
- > High temperature and corrosion resistant models available
- > Solenoids, limit switches, positioners and other accessories are available

- > Fully adjustable limit switches allow for fine control of on-off positions
- > All electric actuators are available for modulating (4-20mA control) or on-off service
- > Motor has thermal overload protection
- > Running Time: 9s/13s/15s/30s/50s/100s/150s
- > Heavy-duty gear train motor with permanent lubrication
- > ISO bottom mounting for direct mount actuation with true ISO valves on most models



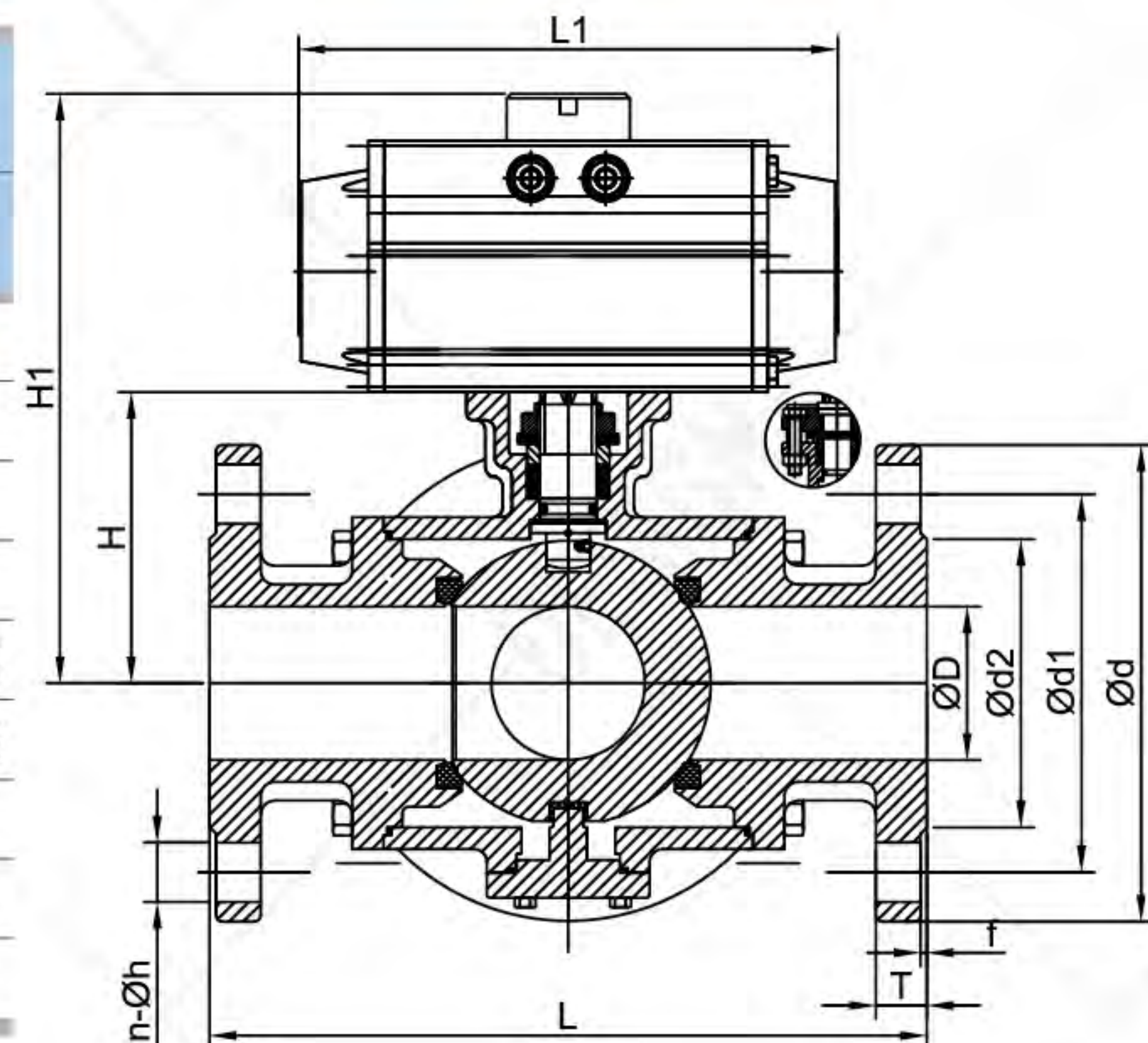
Pneumatically Operated



Electrically Operated

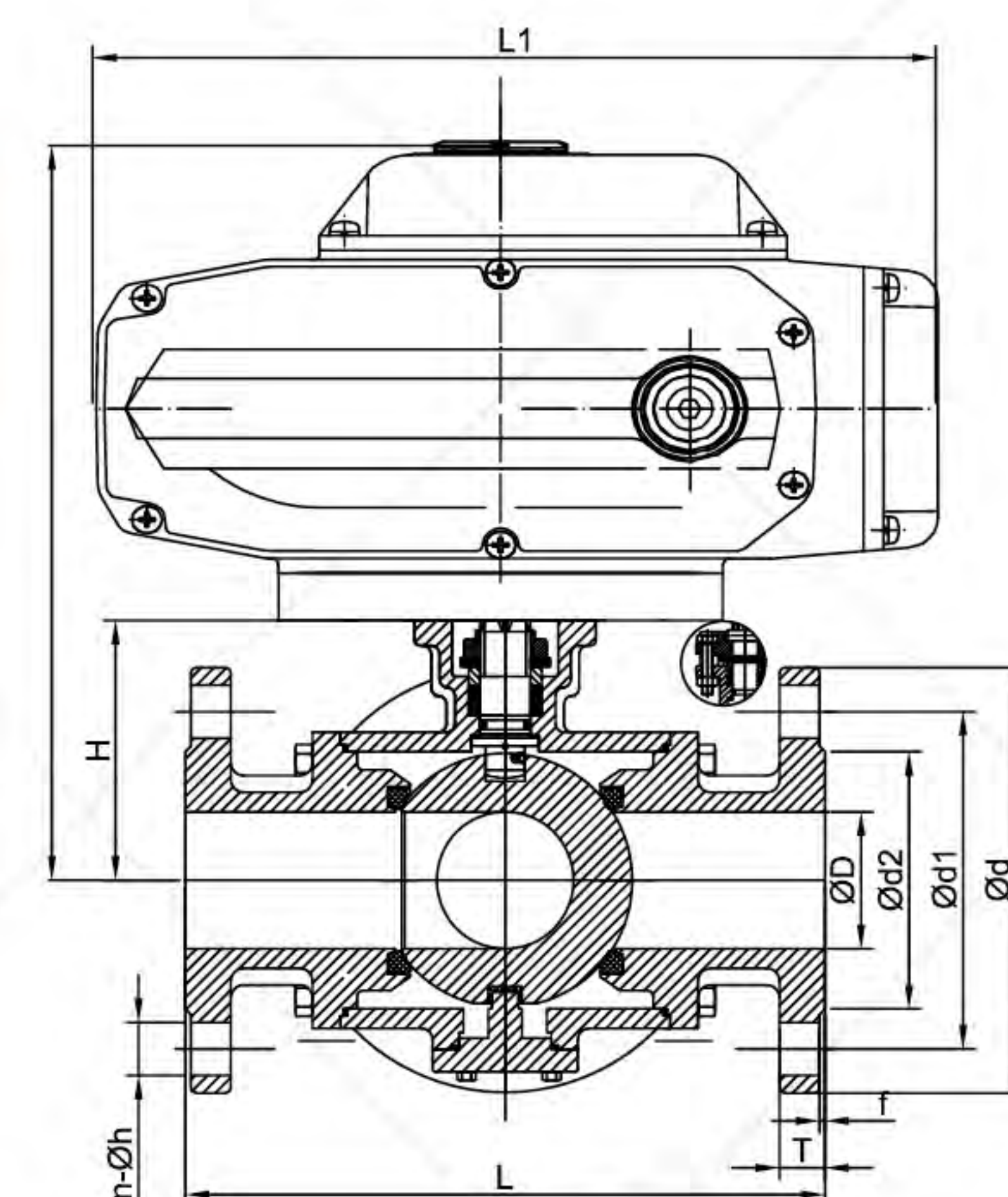
■ Dimensional Data

Size		PN	ΦD	Φd	Φd1	Φd2	L	n	Φh	T	f	H	SR		DA	
DN	In.												H1	L1	H1	L1
15	1/2	10-40	15	95	65	45	155	4	14	16	2	64.5	181.5	207	165	162
20	3/4	10-40	20	105	75	58	165	4	14	18	2	64.5	193	237.5	181.5	207
25	1	10-40	25	115	85	68	181	4	14	18	2	67.5	196	237.5	184.5	207
32	1 1/4	10-40	32	140	100	78	190	4	18	18	2	78.5	207	237.5	195.5	207
40	1 1/2	10-40	40	150	110	88	212	4	18	18	3	85	226.5	271.5	213.5	237.5
50	2	10-40	50	165	125	102	232	4	18	20	3	93	264.5	328	234.5	271.5
65	2 1/2	10-40	65	185	145	122	290	4	18	22	3	121	304.5	366	292.5	328
80	3	10-16	76	200	160	138	310	8	18	20	3	153	359	428	336.5	366
100	4	10-16	100	220	180	158	352	8	18	22	3	170.5	392.5	430	376.5	428



■ Dimensional Data

Size		PN	ΦD	Φd	Φd1	Φd2	L	n	Φh	T	f	H	H1	L1
DN	In.													
15	1/2	10-40	15	95	65	45	155	4	14	16	2	64.5	202	165
20	3/4	10-40	20	105	75	58	165	4	14	18	2	64.5	202	165
25	1	10-40	25	115	85	68	181	4	14	18	2	67.5	205	165
32	1 1/4	10-40	32	140	100	78	190	4	18	18	2	78.5	216	165
40	1 1/2	10-40	40	150	110	88	212	4	18	18	3	85	253.5	211.5
50	2	10-40	50	165	125	102	232	4	18	20	3	93	261.5	211.5
65	2 1/2	10-40	65	185	145	122	290	4	18	22	3	121	324	259
80	3	10-16	76	200	160	138	310	8	18	20	3	153	356	259
100	4	10-16	100	220	180	158	352	8	18	22	3	170.5	373.5	259



ALL VALVES ARE 100% ELECTRONICALLY TESTED AT 80 PSI IN BOTH THE OPEN AND CLOSED POSITIONS